

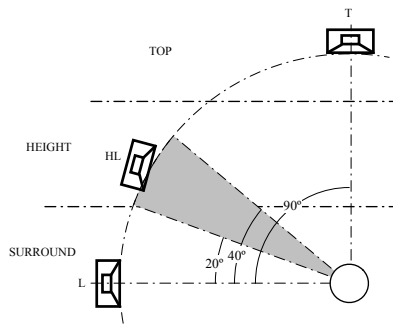
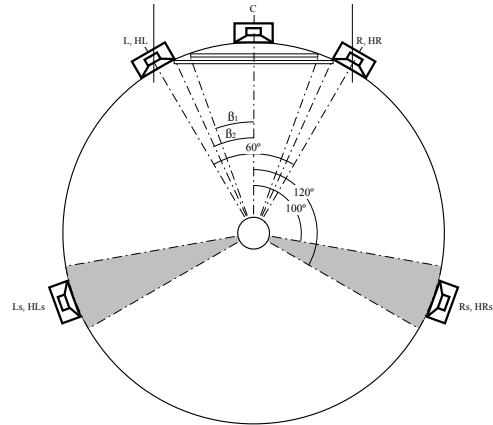
AURO-3D® SPEAKER SETUP GUIDE

The **Center** speaker is positioned directly in front of the listener.

The **Left** and **Right** speakers are positioned at $\pm 30^\circ$ from Center, forming a 60° angle.

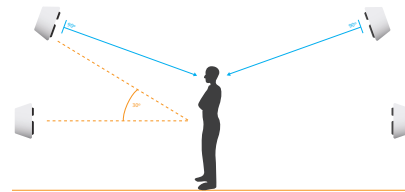
The **Surround** speakers are positioned at $\pm 110^\circ$ from Center.

All Lower Layer acoustical centers are positioned at ear level when seated, 110cm - 130cm high.



The **Top** speaker, if used, should be positioned right above the main listening position, at 90° .

The speakers on the **Height layer** are positioned directly above their corresponding lower speakers and are elevated at an angle of 30° . They are tilted in such a way that the acoustical center is aimed at the listener's head when standing.



To achieve the best **tonal balance** and acoustical imaging, it is recommended to use the same type of speaker for each channel. However, in case this is not possible, smaller speakers of the same product line may be used for the Surround and Center channels.

Calibrate the level of each speaker at 85 dB SPL (C-weighted) for -20dBFS pink noise.

Adjust the signal delay per channel to compensate for different speaker-to-listener distances. (approximately 3ms per meter or 1ms per foot).

Make sure that all speakers are connected with the same polarity.

For temporary installations the height speakers can be easily mounted on height-adjustable PA speaker stands.

* The minimum required speaker setup for an Auro-3D demo is Auro 9.1

